

Accessories

SU200M, SU200MR, and S200UDC—UL 489, CSA 22.2 No. 5



S2C-H6RU

Auxiliary contacts

The auxiliary contacts will signal whether the breaker is in the ON or OFF position.

Description	Catalog number
For field mounting: right side	S2C-H6RU

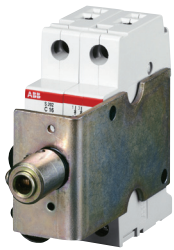


S2C-S6RU

Bell alarm

The bell alarm includes a set of contacts that will only signal when the breaker has tripped. Typically, the contacts would be connected to an alarm or bell to signal the operator that an overcurrent trip has occurred. The bell alarm also includes a test button for testing the alarm contacts without opening the breaker.

Description	Catalog number
For field mounting: right side	S2C-S6RU



S2C-DH

Rotary operating mechanism

Allows “through the door” operation.

Description	Catalog number
Handle mechanism	S2C-DH



S2C-A...U

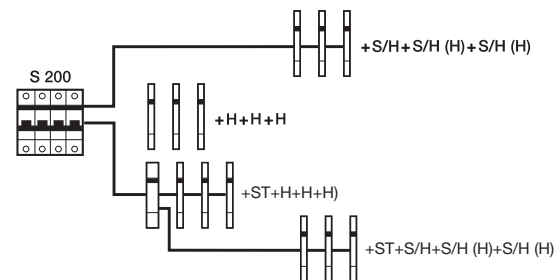
Shunt trip

For remote tripping of breaker, a shunt trip device can be added to the MCB. The solenoid device opens the breaker after control voltage is applied.

Description	Catalog number
For field mounting: right side 12...60 VAC/DC	S2C-A1U
For field mounting: right side 110...415 VAC	S2C-A2U
110...250 VDC	

Note: For shafts and handles, refer to parts in the Disconnect Switch and MCCB section.

Possible mounting arrangements of MCB accessories



Legend

Auxiliary contact	H
Bell alarm/auxiliary contact	S/H
Bell alarm/auxiliary contact used as auxiliary contact	S/H (H)
Shunt trip	ST

Note: Right hand mount accessories cannot be used in conjunction with S2C-DH, rotary operating mechanism.

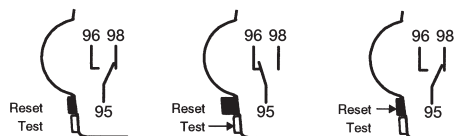
Accessories

SU200M, SU200MR, and S200UDC—UL 489, CSA 22.2 No. 5

Connection drawings

Bell alarm S2C-S6RU

In ON and OFF position after hand operation



Auxiliary contact S2C-H6RU

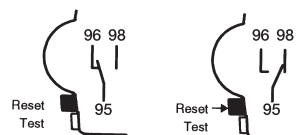
Auxiliary contact in ON position



Shunt trip S2C-A...U



In OFF position after tripping

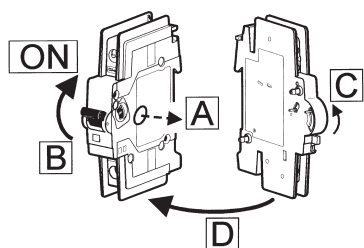


Auxiliary contact in OFF position

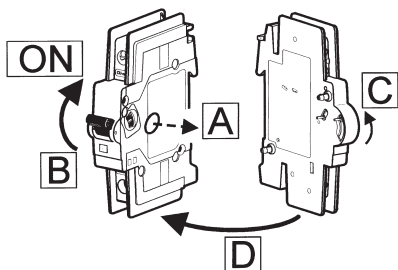


Mounting

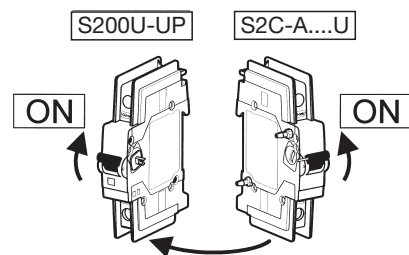
Addition of a S2C-H6RU auxiliary contact



Addition of a S2C-S6RU bell alarm contact



Addition of a S2C-A...U shunt trip



Accessories


SU200MR—UL 489, CSA 22.2 No. 5

SU200MR Instructions for use

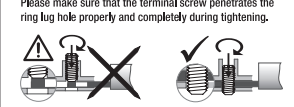
Ring Tongue Terminal, Special purpose - Not for general use

Installation Instructions

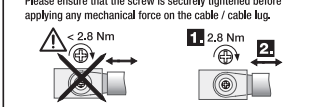
Please insert or withdraw the cable lug only when the screw is completely open.




Please make sure that the terminal screw penetrates the ring lug hole properly and completely during tightening.



Please ensure that the screw is securely tightened before applying any mechanical force on the cable / cable lug.





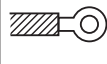
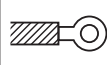
Do not apply abnormal downward pressure on the screw during tightening or loosening of the screw.



F = max. 30 N F = Maximum to operate

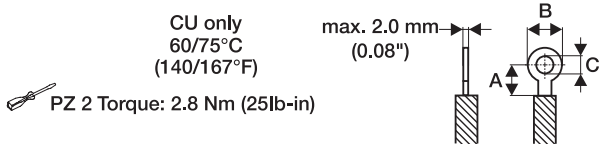
Please follow the Ring Tongue Details on the rear of this sheet.

Ring Tongue Details

Only  or  ring cable lugs	Rated voltage 480V/277 V AC	Insulated only 	A	B	C
			max. 11.0 mm (0.43")	max. 12.2 mm (0.48")	Suitable for M5 (0.20")
Rated voltage 240/240 V AC	Insulated only 	A	B	C	
		max. 14.0 mm (0.55")	max. 12.2 mm (0.48")	Suitable for M5 (0.20")	

CU only
60/75°C
(140/167°F)

max. 2.0 mm
(0.08")



PZ 2 Torque: 2.8 Nm (25lb-in)

Accessories

SU200M, SU200MR, and S200UDC—UL 489, CSA 22.2 No. 5



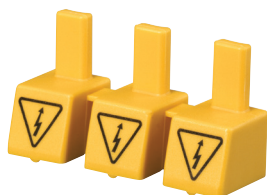
PS2/6/16 BP

Busbars for SU200M

Busbars cannot be cut. 600 V AC/DC

Amp rating*	Number of poles	Phases	Busbar length (mm)	Catalog number
80/115	6	1	103.2	PS 1/6/16BP
	12	1	208.8	PS 1/12/16BP
	18	1	314.4	PS 1/18/16BP
80/115	6	2	103.2	PS 2/6/16BP
	12	2	208.8	PS 2/12/16BP
	18	2	314.4	PS 2/18/16BP
80/115	6	3	103.2	PS 3/6/16BP
	12	3	208.8	PS 3/12/16BP
	18	3	314.4	PS 3/18/16BP

*End/centerfed



BSK-BP

Busbar tooth covers for BS...BP (UL 489)

Description	Catalog number
Covers three unused poles of busbar	BSK-BP

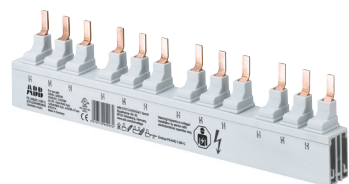


AST35/15BP

SZ-ESPBP

Feeder terminals for PS...BP (UL 489)

Description	Catalog number
Terminal, insulated with pin contact	AST35/15BP
Feeder terminal, single-pole terminal, can be mounted side by side, feed on the pin of the busbar	SZ-ESK BP



PS...BP-C

Busbars PS...BP-C for use with end caps PS-END 3 BP-C

Number of phases	Phase sequence	Catalog number
1	L1-L1-L1...	PS1/57/25BP-C
	L1-Aux (free)-L1-Aux (free)...1	PS1/37/25HBP-C
2	L1-L2-L1-L2...	PS2/56/25BP-C
	L1-L2-Aux (free)-L1-L2-Aux (free)...1	PS2/46/25HBP-C
3	L1-L2-L3-L1-L2-L3...	PS3/57/25BP-C
	L1-L2-L3-Aux (free)-L1-L2-L3-Aux (free)...1	PS3/48/25HBP-C
	L1-Aux (free)-L2-Aux (free)-L3-Aux (free)...1	PS3/39/25HBP-C

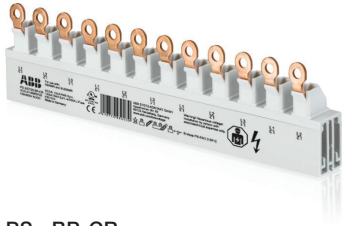
¹⁾ for devices with auxiliary contact (half module) after each phase sequence

Accessories

Description	Catalog number
Tooth covers, for 3 pins	BSK BP-C
End caps	PS-END 3 BP-C
Feeder terminal	AST 35/58 BP-C

Accessories

SU200M, SU200MR, and S200UDC—UL 489, CSA 22.2 No. 5



PS...BP-CR

Busbars for SU200MR, can be cut to length

Busbars PS...BP-CR for use with end caps PS-END 3 BP-C

Number of phases	Phase sequence	Number of pins pcs.	Cross section mm ²	Catalog number
1	L1-L1-L1...	57	25	PS1/57/25BP-CR
	L1-Aux (free)-L1-Aux (free)...1)	37	25	PS1/37/25HBP-CR
2	L1-L2-L1-L2...	56	25	PS2/56/25BP-CR
	L1-L2-Aux (free)-L1-L2-Aux (free)...1)	46	25	PS2/46/25HBP-CR
3	L1-L2-L3-L1-L2-L3...	57	25	PS3/57/25BP-CR
	L1-L2-L3-Aux (free)-L1-L2-L3-Aux (free)...1)	48	25	PS3/48/25HBP-CR
	L1-Aux (free)-L2-Aux (free)-L3-Aux (free)...1)	39	25	PS3/39/25HBP-CR

¹⁾ for devices with auxiliary contact (half module) after each phase sequence

Accessories

Description	Catalog number
Tooth covers, for 3 pins	BSK BP-CR
End caps	PS-END 3 BP-C



Lockout/Tag out device

Product description	Catalog number
For Single-pole MCBs	S2C-LOTO-S
For Multi-pole MCBs	S2C-LOTO-M